



FEM4700FS-LSS and FEM4500FS-RSW

Electromagnetic gate locks



The electromagnetic mini gate lock FEM4700FS-LSS has a holding force of up to 380kg and the electromagnetic micro gate lock FEM4500FS-RSW has a holding force of up to 200kg.

Both products are IP67 weather resistant with stainless steel body housings. The devices provide dual fixing arrangement, built-in varistor surge protection, and accept both 12 and 24VDC.

The electromagnetic gate locks also provide the monitoring feature "Lock Status Sensor" (LSS) and come with a lifetime warranty.

Features

- Lock status monitoring sensor (LSS)
- 304 stainless steel body housing
- IP67 weather resistant
- CE/C-Tick
- No residual magnetism guaranteed

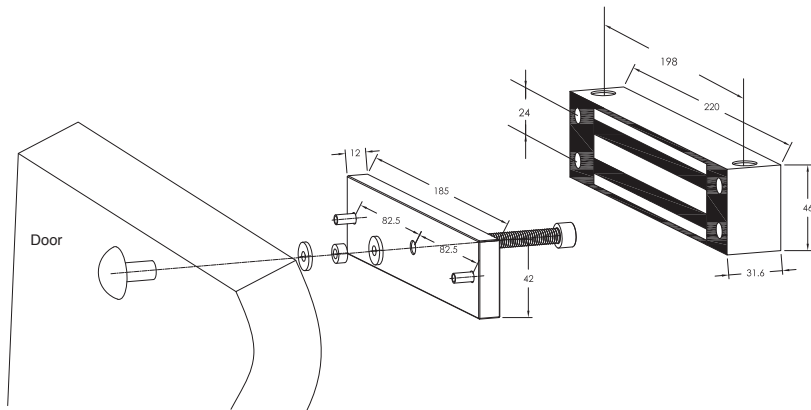
Warranties	
Mechanical	Lifetime
Finish	allegion.co.nz/finisheswarranty
Electronic	1 year

Technical specifications

Part Number	FEM4700FS-LSS	FEM4500FS-RSW
Holding Strength	Up to 380kg	Up to 200kg
Voltage / Current	Dual voltage 12V/24DC 12VDC = 400mA 24VDC = 200mA	Dual voltage 12V/24DC 12VDC = 360mA 24VDC = 180mA
Monitoring	LSS	LSS
Dimensions	Magnet: 220mm (L) x 47mm (W) x 30.5mm (D) Armature plate: 185mm (L) x 42mm (W) x 12mm (D)	Magnet: 162mm (L) x 26mm (W) x 31mm (D) Armature plate: 130mm (L) x 30mm (W) x 8.7mm (D)

Installation

FEM4700FS-LSS



FEM4500FS-RSW

